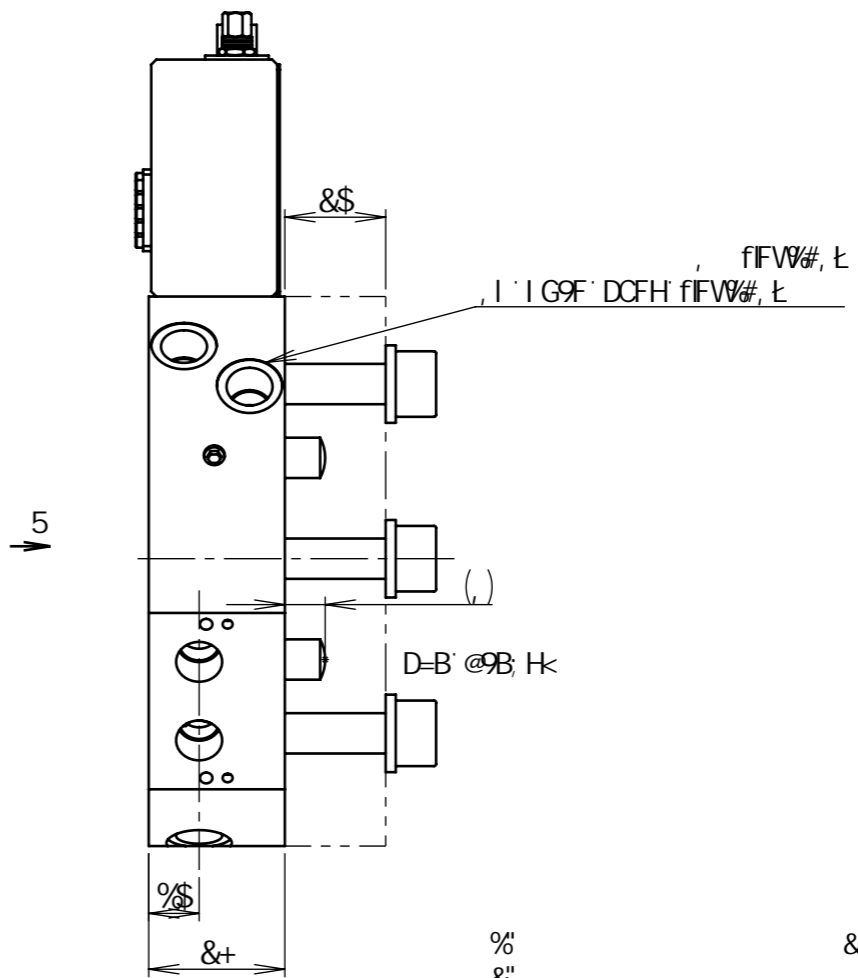
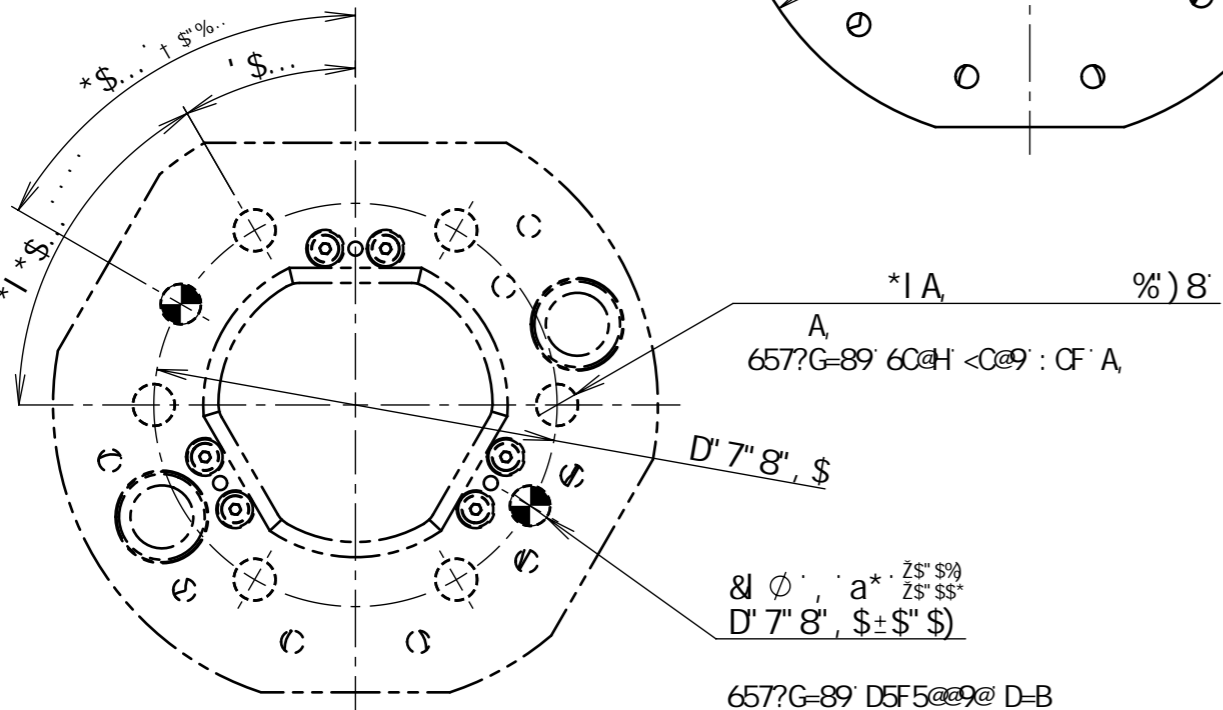
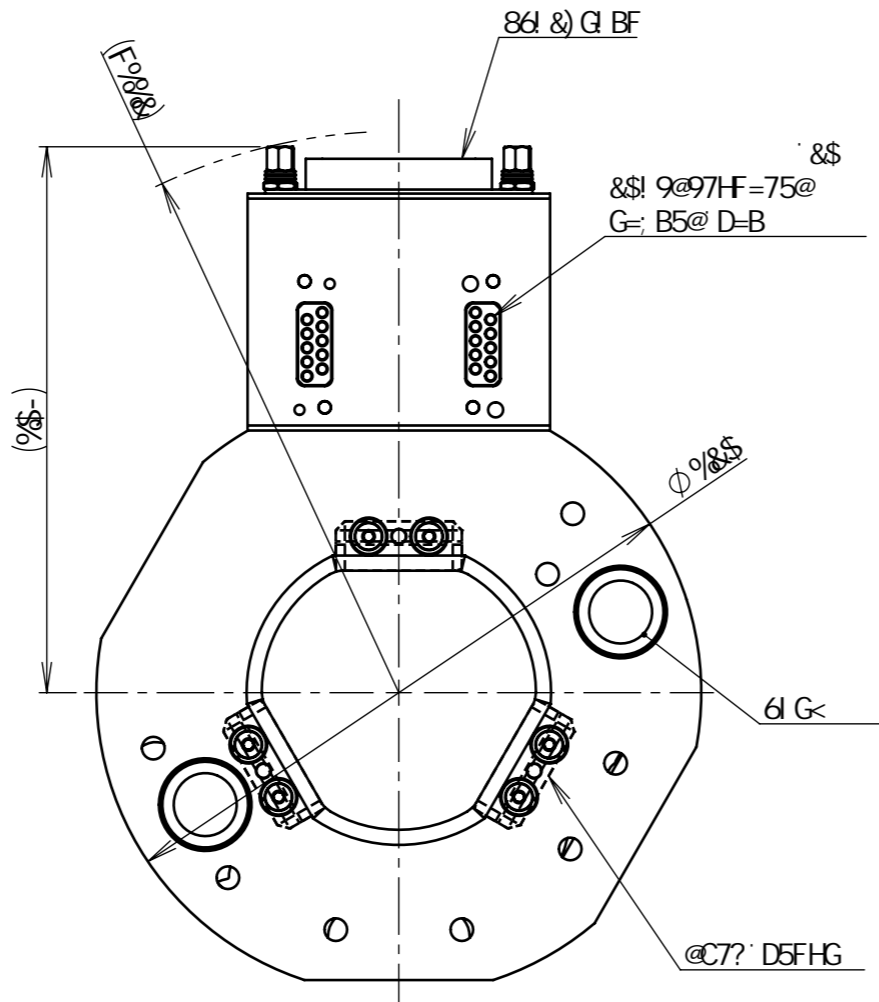
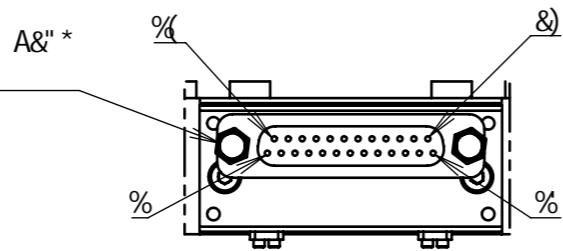


" &
 BCH9' &
 @C7?-B; ' G7F9K. A&" *



% &
 &\$aa
 f1A&" *7
 BCH9
 % D@5H9' H<=7?B9GG' =G' &\$aa"
 &' 5H19BH=CB' HC' H<9' G7F9K' G=N9' f1A&" *7

5
 J=9K' 5' . ' 7CBB97H+B; ' 8=A9BGMVB' J=9K

B-H5CA9, 5' hndY' G) \$! G	HCO@B; ' 585DHCF
ÕÕVGEË ÛÔ€€	
VGEG' €HG' Ë Ë€	88H' &\$&) #S' #&*