

Compact Speed Controller

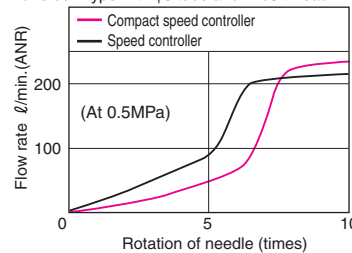
PushOne™ Type

Features

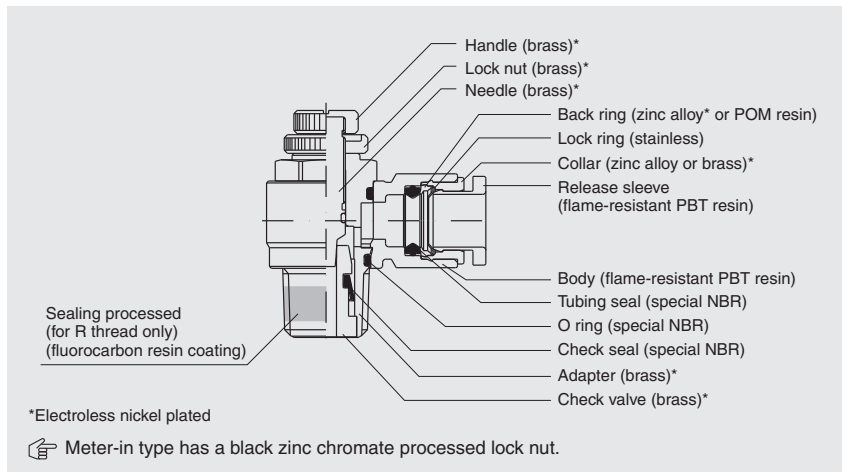
- Smaller than the conventional model
- Easy fine adjustment at low flow rate
Compact size with a maximum flow rate comparable to that of the conventional model. (See the graph.)
- PushOne connection of tubing
Jig and tool not required for connecting the tubes.
- Flame-resistant resin (compliant with V-0 of UL94 standard)
Made of flame-resistant resin PBT. High self-extinguishing performance is compliant with V-0 of UL94 standard. Usable under an environment with spatters.
- Electroless nickel plated
Prevents degradation of surface and dissolution of copper ions into fluid.
- Sealing-processed R thread
Sealing tape is not required.



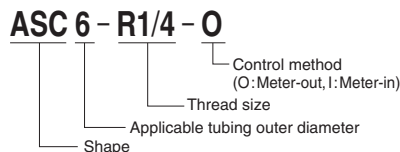
[Comparison of control flow with the conventional model]
For elbow type with φ6 tube and R1/8 thread



Cross-sectional structure diagram



Product number example

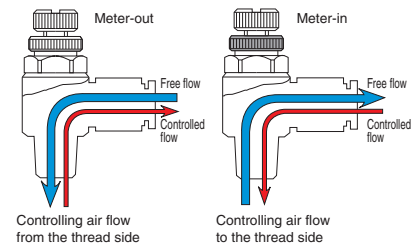


Distinction of Meter-out/in types



Meter-out/in types are distinguished by the color of the lock nut.

Control mechanism



Reference

Flow characteristic graph.....P.163
UL-94 standard flame test.....P.195

Applicable tubing

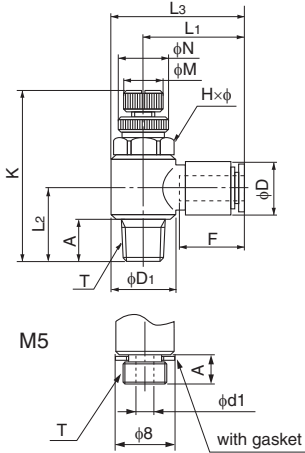


(*1) Combinatory use of PL or PN tubing and compact speed controller mixes general and clean type performances.
When using them together in a clean environment, be aware of how this could lower the cleanliness level.

Elbow type



●Millimeter size type

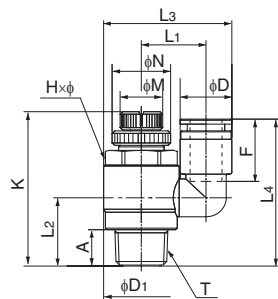


Product number	Applicable tubing outer diameter (mm)	T Thread size (M,R)	L1 (mm)	L2 (mm)	L3 (mm)	K		A (mm)	F Tubing insertion length (mm)	Hxφ Width across flat (mm)	N (mm)	M (mm)	D (mm)	D1 (mm)	Weight (g)
						Full open (mm)	Full closed (mm)								
ASC4-M5-O	4	M5x0.8	18.0	10.1	22.8	28.6	25.8	3.4	13.5	8.0x9.0	8.0	5.0	9.8	9.6	8.0
ASC4-M5-I	4	M5x0.8	18.0	10.1	22.8	28.6	25.8	3.4	13.5	8.0x9.0	8.0	5.0	9.8	9.6	8.0
ASC4-R1/8-O	4	R1/8	20.1	13.7	27.2	36.0	31.0	7.3	13.5	12.0x13.5	11.0	8.0	9.8	14.2	19.0
ASC4-R1/8-I	4	R1/8	20.1	13.7	27.2	36.0	31.0	7.3	13.5	12.0x13.5	11.0	8.0	9.8	14.2	19.0
ASC6-M5-O	6	M5x0.8	20.3	10.6	25.1	28.6	25.8	3.4	15.0	8.0x9.0	8.0	5.0	12.6	9.6	9.0
ASC6-M5-I	6	M5x0.8	20.3	10.6	25.1	28.6	25.8	3.4	15.0	8.0x9.0	8.0	5.0	12.6	9.6	9.0
ASC6-R1/8-O	6	R1/8	21.8	13.7	28.9	36.0	31.0	7.3	15.0	12.0x13.5	11.0	8.0	12.6	14.2	20.0
ASC6-R1/8-I	6	R1/8	21.8	13.7	28.9	36.0	31.0	7.3	15.0	12.0x13.5	11.0	8.0	12.6	14.2	20.0
ASC6-R1/4-O	6	R1/4	23.6	18.2	32.9	40.3	35.3	10.8	15.0	14.0x15.8	13.0	10.0	12.6	18.5	33.0
ASC6-R1/4-I	6	R1/4	23.6	18.2	32.9	40.3	35.3	10.8	15.0	14.0x15.8	13.0	10.0	12.6	18.5	33.0
ASC8-R1/8-O	8	R1/8	26.6	14.7	33.7	36.0	31.0	7.3	16.0	12.0x13.5	11.0	8.0	14.6	14.2	21.0
ASC8-R1/8-I	8	R1/8	26.6	14.7	33.7	36.0	31.0	7.3	16.0	12.0x13.5	11.0	8.0	14.6	14.2	21.0
ASC8-R1/4-O	8	R1/4	24.9	18.2	34.1	40.3	35.3	10.8	16.0	14.0x15.8	13.0	10.0	14.6	18.5	34.0
ASC8-R1/4-I	8	R1/4	24.9	18.2	34.1	40.3	35.3	10.8	16.0	14.0x15.8	13.0	10.0	14.6	18.5	34.0
ASC8-R3/8-O	8	R3/8	26.9	19.9	38.2	46.3	41.3	11.1	16.0	19.0x21.0	16.0	13.0	14.6	22.6	62.0
ASC8-R3/8-I	8	R3/8	26.9	19.9	38.2	46.3	41.3	11.1	16.0	19.0x21.0	16.0	13.0	14.6	22.6	62.0
ASC10-R1/8-O	10	R1/8	30.4	16.2	37.5	36.0	31.0	7.3	19.0	12.0x13.5	11.0	8.0	17.5	14.2	23.0
ASC10-R1/8-I	10	R1/8	30.4	16.2	37.5	36.0	31.0	7.3	19.0	12.0x13.5	11.0	8.0	17.5	14.2	23.0
ASC10-R1/4-O	10	R1/4	31.5	19.6	40.7	40.3	35.3	10.8	19.0	14.0x15.8	13.0	10.0	17.5	18.5	37.0
ASC10-R1/4-I	10	R1/4	31.5	19.6	40.7	40.3	35.3	10.8	19.0	14.0x15.8	13.0	10.0	17.5	18.5	37.0
ASC10-R3/8-O	10	R3/8	30.3	19.9	41.6	46.3	41.3	11.1	19.0	19.0x21.0	16.0	13.0	17.5	22.6	65.0
ASC10-R3/8-I	10	R3/8	30.3	19.9	41.6	46.3	41.3	11.1	19.0	19.0x21.0	16.0	13.0	17.5	22.6	65.0
ASC10-R1/2-O	10	R1/2	32.4	24.5	46.0	54.5	49.5	14.4	19.0	24.0x26.0	20.0	16.0	17.5	27.4	109.0
ASC10-R1/2-I	10	R1/2	32.4	24.5	46.0	54.5	49.5	14.4	19.0	24.0x26.0	20.0	16.0	17.5	27.4	109.0
ASC12-R3/8-O	12	R3/8	37.7	21.2	49.0	46.3	41.3	11.1	20.0	19.0x21.0	16.0	13.0	20.0	22.6	67.0
ASC12-R3/8-I	12	R3/8	37.7	21.2	49.0	46.3	41.3	11.1	20.0	19.0x21.0	16.0	13.0	20.0	22.6	67.0
ASC12-R1/2-O	12	R1/2	33.7	24.5	47.4	54.5	49.5	14.4	20.0	24.0x26.0	20.0	16.0	20.0	27.4	111.0
ASC12-R1/2-I	12	R1/2	33.7	24.5	47.4	54.5	49.5	14.4	20.0	24.0x26.0	20.0	16.0	20.0	27.4	111.0

Universal type



●Millimeter size type



Product number	Applicable tubing outer diameter (mm)	T Thread size (M,R)	L1 (mm)	L2 (mm)	L3 (mm)	L4 (mm)	K		A (mm)	F Tubing insertion length (mm)	Hxφ Width across flat (mm)	N (mm)	M (mm)	D (mm)	D1 (mm)	Weight (g)
							Full open (mm)	Full closed (mm)								
ASD4-M5-O	4	M5x0.8	9.9	10.1	18.5	24.5	28.6	25.8	3.4	11.0	8.0x9.0	8.0	5.0	8.0	9.6	8.0
ASD4-M5-I	4	M5x0.8	9.9	10.1	18.5	24.5	28.6	25.8	3.4	11.0	8.0x9.0	8.0	5.0	8.0	9.6	8.0
ASD4-R1/8-O	4	R1/8	12.2	13.7	23.1	28.0	36.0	31.0	7.3	11.0	12.0x13.5	11.0	8.0	8.0	14.2	18.0
ASD4-R1/8-I	4	R1/8	12.2	13.7	23.1	28.0	36.0	31.0	7.3	11.0	12.0x13.5	11.0	8.0	8.0	14.2	18.0
ASD6-M5-O	6	M5x0.8	9.9	10.1	19.5	25.9	28.6	25.8	3.4	12.0	8.0x9.0	8.0	5.0	10.0	9.6	8.0
ASD6-M5-I	6	M5x0.8	9.9	10.1	19.5	25.9	28.6	25.8	3.4	12.0	8.0x9.0	8.0	5.0	10.0	9.6	8.0
ASD6-R1/8-O	6	R1/8	12.2	13.7	24.1	29.4	36.0	31.0	7.3	12.0	12.0x13.5	11.0	8.0	10.0	14.2	19.0
ASD6-R1/8-I	6	R1/8	12.2	13.7	24.1	29.4	36.0	31.0	7.3	12.0	12.0x13.5	11.0	8.0	10.0	14.2	19.0
ASD6-R1/4-O	6	R1/4	14.3	17.1	28.4	32.9	40.3	35.3	10.8	12.0	14.0x15.8	13.0	10.0	10.0	18.5	32.0
ASD6-R1/4-I	6	R1/4	14.3	17.1	28.4	32.9	40.3	35.3	10.8	12.0	14.0x15.8	13.0	10.0	10.0	18.5	32.0
ASD8-R1/8-O	8	R1/8	16.1	14.4	30.5	35.1	36.0	31.0	7.3	16.0	12.0x13.5	11.0	8.0	14.6	14.2	22.0
ASD8-R1/8-I	8	R1/8	16.1	14.4	30.5	35.1	36.0	31.0	7.3	16.0	12.0x13.5	11.0	8.0	14.6	14.2	22.0
ASD8-R1/4-O	8	R1/4	18.2	18.0	34.8	38.7	40.3	35.3	10.8	16.0	14.0x15.8	13.0	10.0	14.6	18.5	36.0
ASD8-R1/4-I	8	R1/4	18.2	18.0	34.8	38.7	40.3	35.3	10.8	16.0	14.0x15.8	13.0	10.0	14.6	18.5	36.0
ASD8-R3/8-O	8	R3/8	20.3	18.7	38.9	39.4	46.3	41.3	11.1	16.0	19.0x21.0	16.0	13.0	14.6	22.6	64.0
ASD8-R3/8-I	8	R3/8	20.3	18.7	38.9	39.4	46.3	41.3	11.1	16.0	19.0x21.0	16.0	13.0	14.6	22.6	64.0
ASD10-R1/4-O	10	R1/4	18.2	18.0	36.2	42.6	40.3	35.3	10.8	19.0	14.0x15.8	13.0	10.0	17.5	18.5	38.0
ASD10-R1/4-I	10	R1/4	18.2	18.0	36.2	42.6	40.3	35.3	10.8	19.0	14.0x15.8	13.0	10.0	17.5	18.5	38.0
ASD10-R3/8-O	10	R3/8	20.3	18.7	40.3	43.3	46.3	41.3	11.1	19.0	19.0x21.0	16.0	13.0	17.5	22.6	66.0
ASD10-R3/8-I	10	R3/8	20.3	18.7	40.3	43.3	46.3	41.3	11.1	19.0	19.0x21.0	16.0	13.0	17.5	22.6	66.0

Tubing
Clean tubing
Processed tubing
PushOne fitting
QuickSeal fitting
Clean fitting/
Chemifit
Bamboo-shoot fitting
Control switch/
Detachable series
Jig/Tool/
Accessory
Technical information
Reference